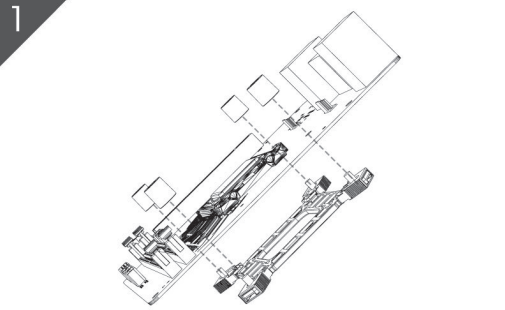
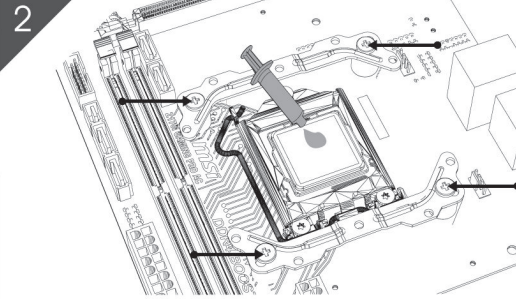


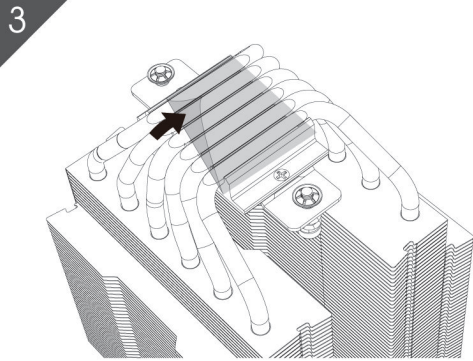
INTEL LGA 115x / 1200 / 1700



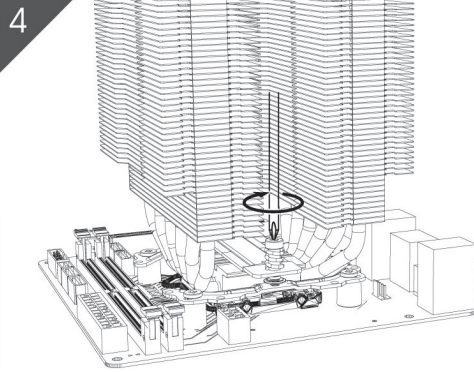
Adjust the slider position of the backplate according to the specifications of the CPU, put the backplate on the back of the motherboard, and then insert the Intel-specific limit post into the slider nut of the backplate.



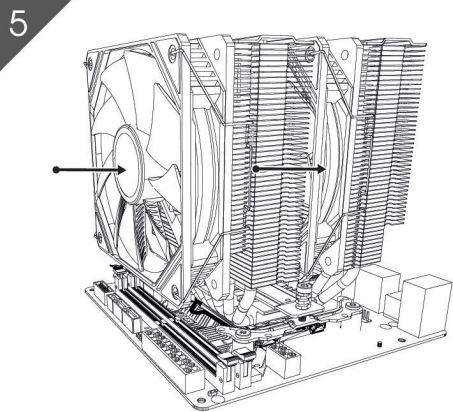
According to the direction shown in the figure, use 4 Intel-specific screws to lock the buckle on the backboard, and then evenly apply a layer of thermal conductive silicone grease on the surface of the CPU.



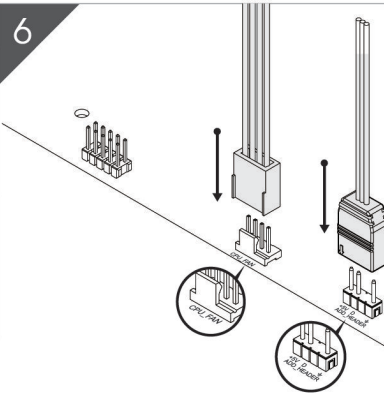
Take the fans off the heatsink and peel off the protective film on the bottom of the heatsink.



Place the heat sink on the mounting bracket and align the holes of mounting bracket, then use a screwdriver to lock the radiator to the mounting bracket.

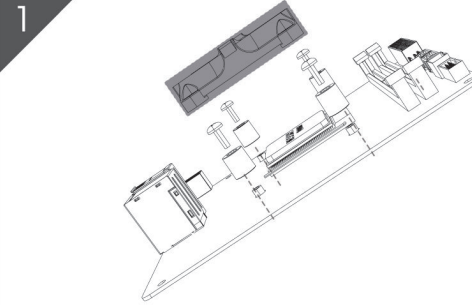


Install the fan on the heat sink, paying attention to the airflow direction.

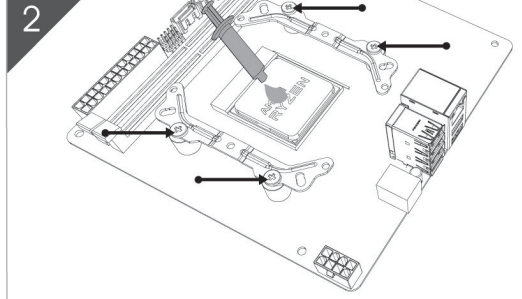


Plug the heatsink power connector into the CPU_Fan pin on the motherboard.

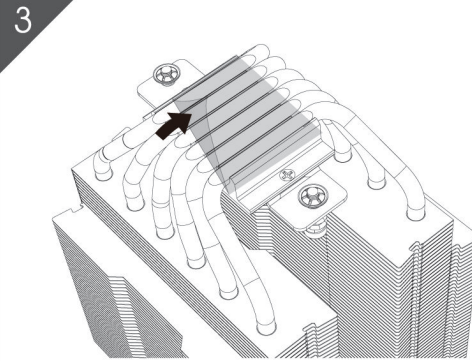
AMD AM4/ AM3(+)/ AM2(+)



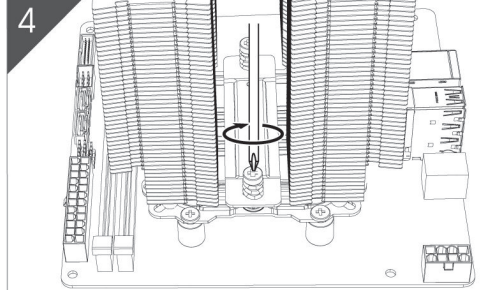
Remove the radiator bracket that comes with the AMD motherboard, keep the screws and the original AMD backplate, and then insert the AMD-specific limit post into the backplate nut.



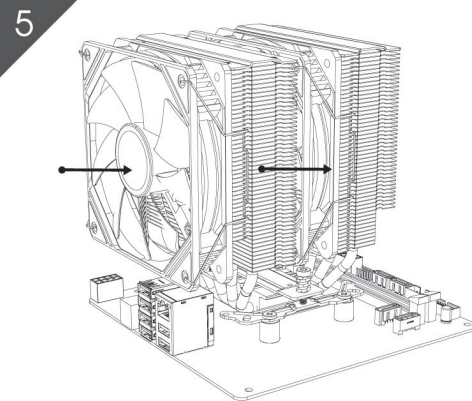
According to the direction shown in the picture, use the 4 screws that come with the AMD bracket to lock the buckle on the backplate, and then evenly apply a layer of thermal conductive silicone grease on the surface of the CPU.



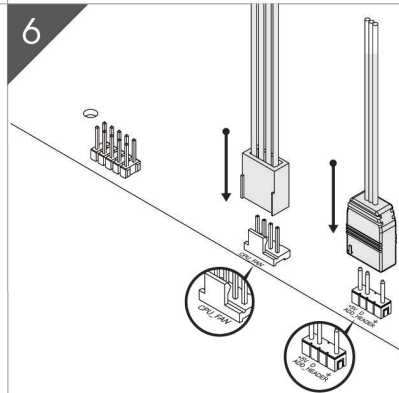
Take the fans off the heatsink and peel off the protective film on the bottom of the heatsink.



Place the heat sink on the mounting bracket and align the holes of mounting bracket, then use a screwdriver to lock the radiator to the mounting bracket.



Install the fan on the heat sink, paying attention to the airflow direction.



Plug the heatsink power connector into the CPU_Fan pin on the motherboard.